

# *Wonder Wheel*

## ASSEMBLY & OPERATION MANUAL



**Large / 18 Boats**  
**WW1100RZ**

**Medium / 15 Boats**  
**WW1110RZ**

**Small / 10 Boats**  
**WW1120RZ**

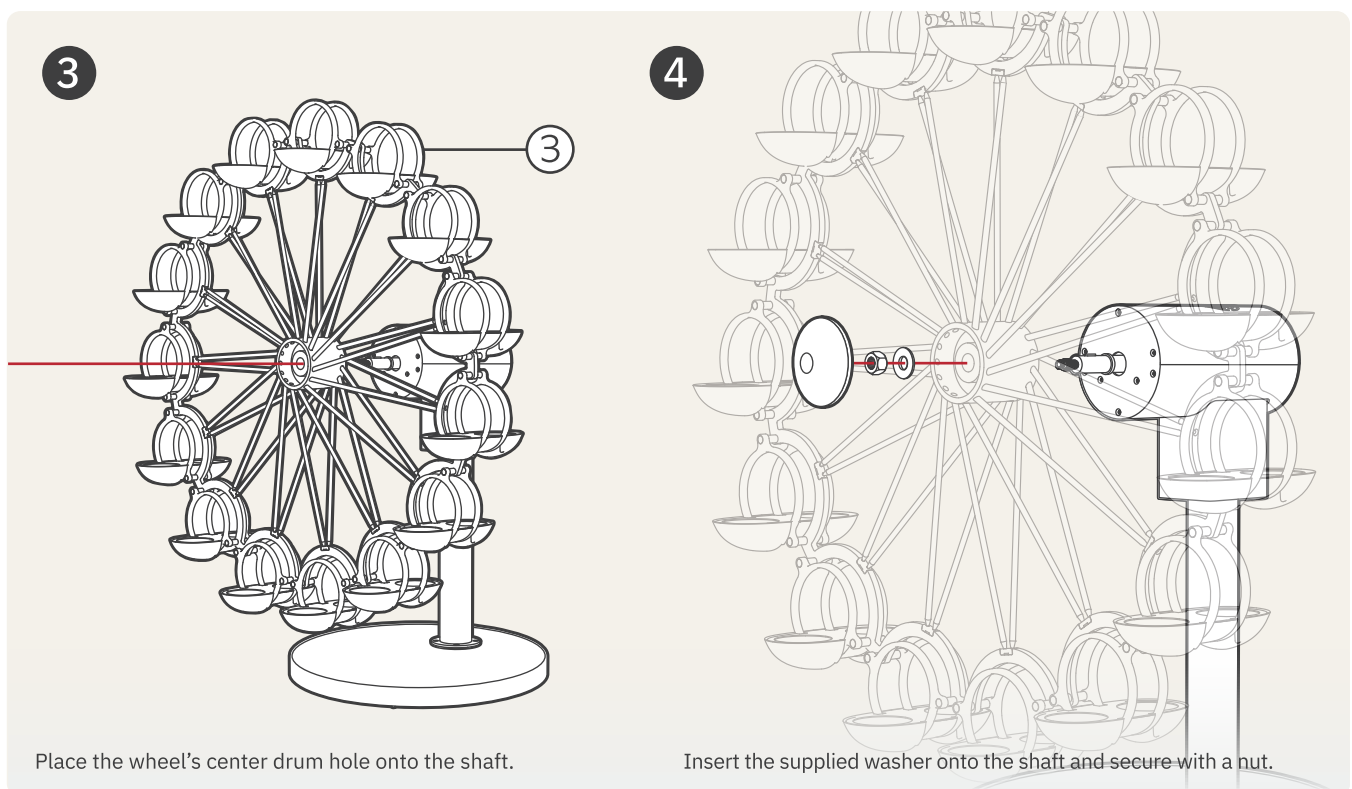
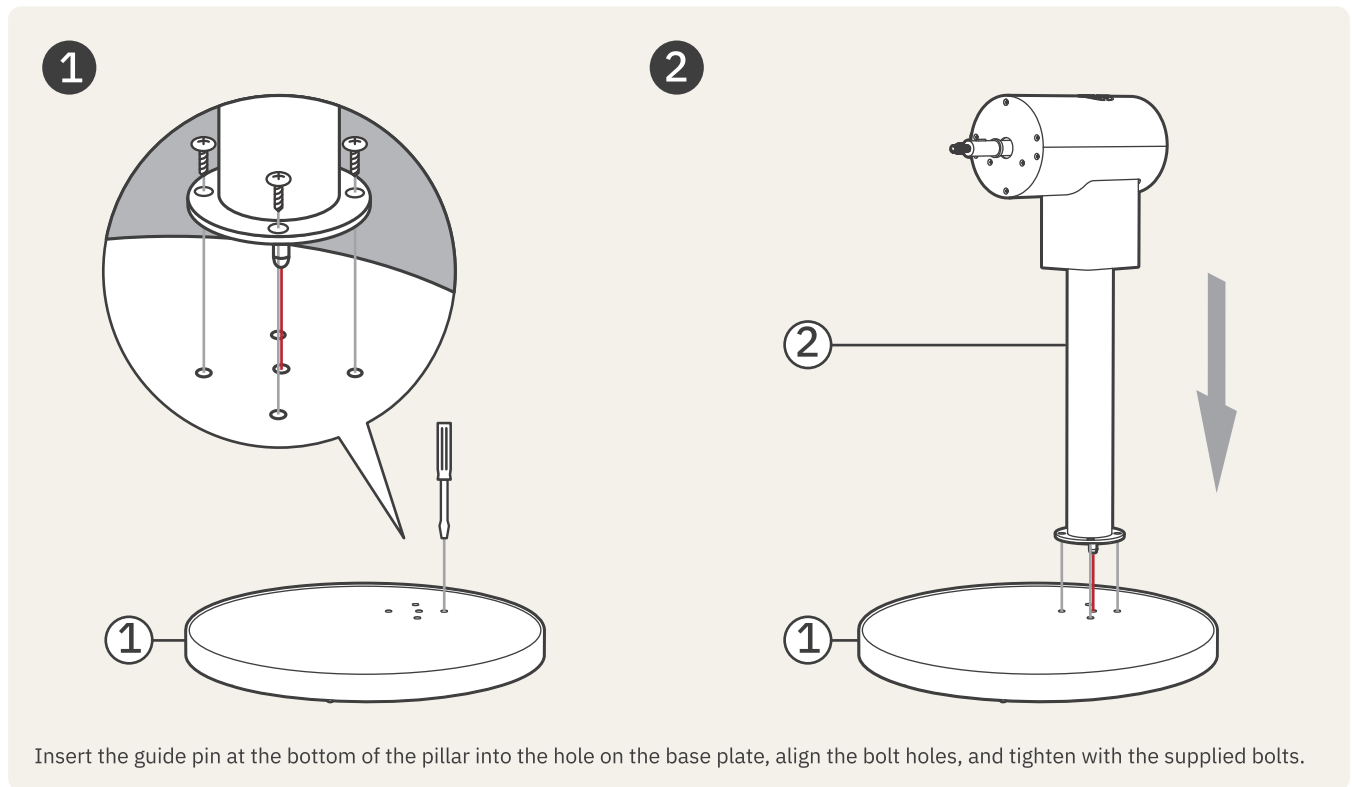
To facilitate your use, please read this manual carefully and follow the instructions step by step before use. Please keep this manual in a safe place for future reference.

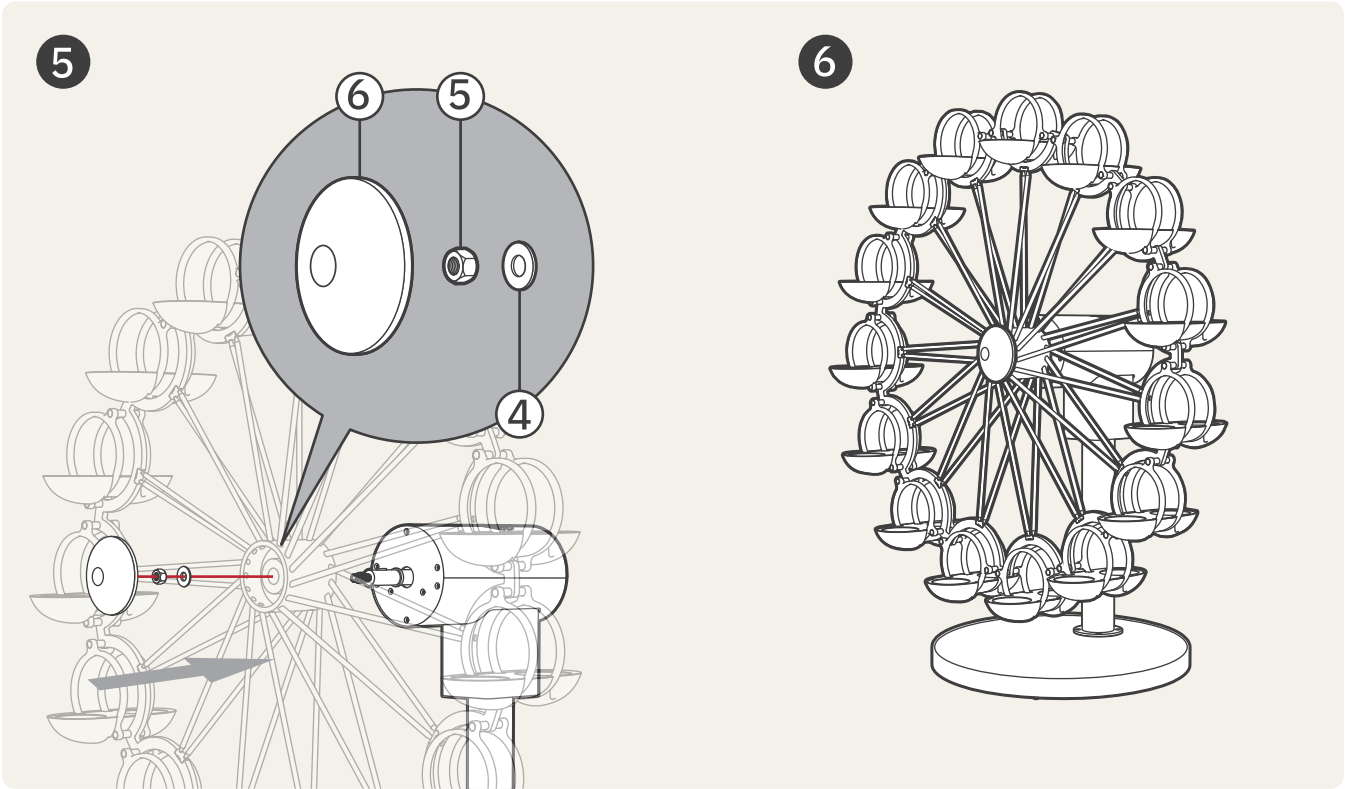
The final interpretation right of this product manual is reserved by our company.

# Product Overview.

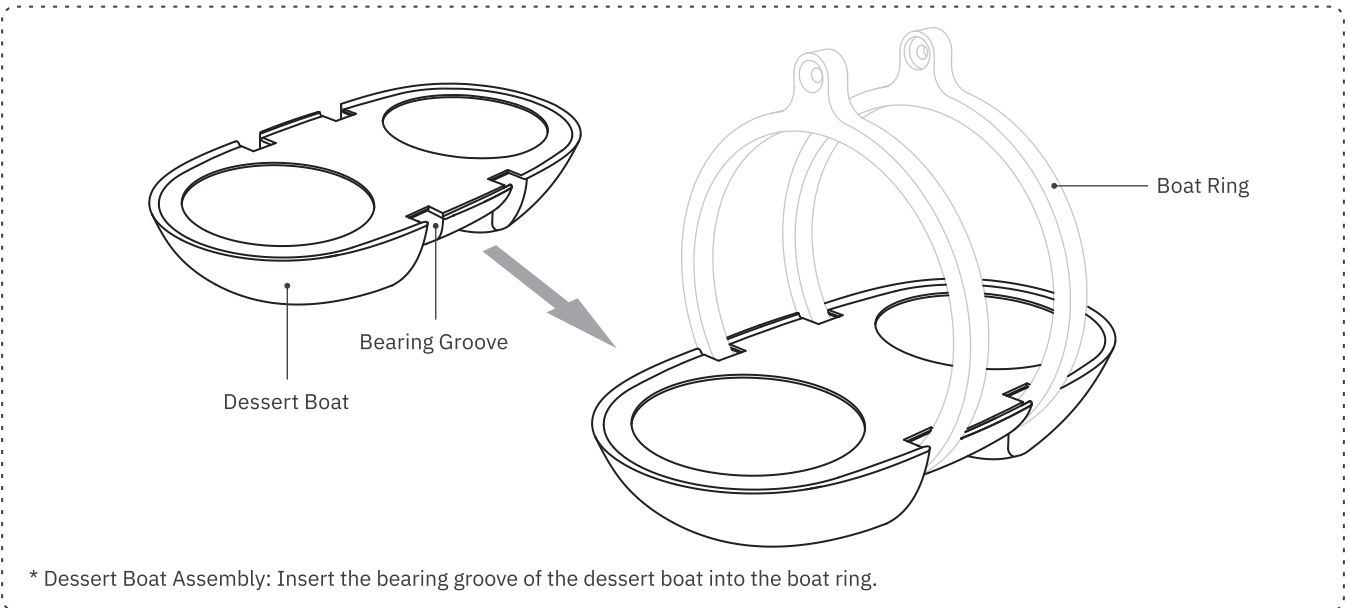
## Product Assembly Instruction

\* For safety, connect the power cord only after the product is fully assembled.





Insert the protruding bolt of the center cap into the shaft end and tighten firmly. Place the dessert boat naturally inside the boat ring.



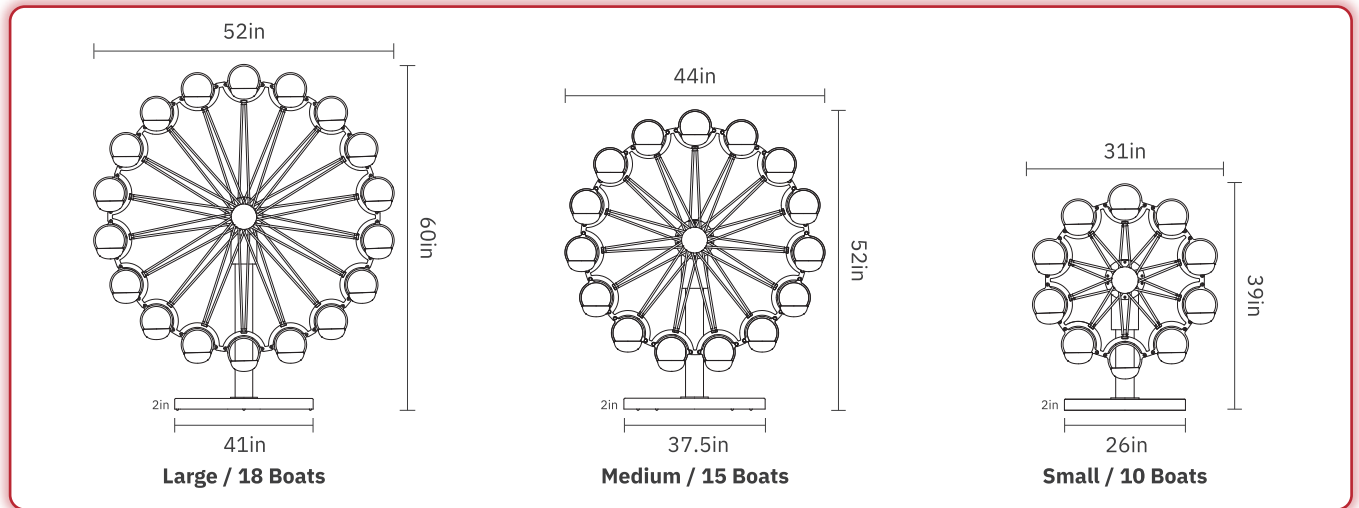
\* After assembly, connect the power cord and operate the motor using the speed controller on the back of the motor box.

\* The recommended rotation speed is 1.5 RPM, but you may adjust it according to your store's needs.

\* Turn the speed controller dial from 0 to 2 to start operation at 1.5 RPM. Turning it back to 0 will cut the power and stop the motor.

# Product Overview.

## Product Information



\*Specifications may change without notice to improve quality.

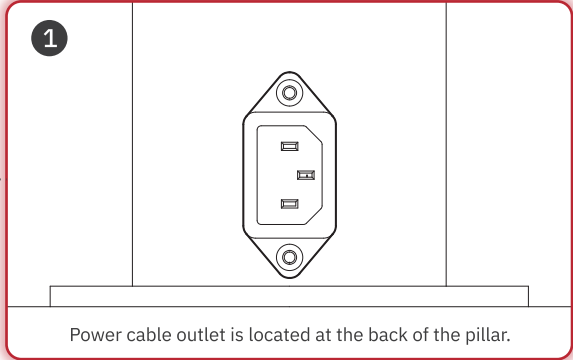
Product Name	Wonder wheel
Color	Chanpagn Gold
Material	Alluminume, Stainless steel, ABS, Ply wood
Electric rating	110V, 60W
Components	Body, Boat, S.C. Induction Motor, P-type Gearbox, Speed Controller, Power Cable, User Manual

Size	Large / 18 Boats	Medium / 15 Boats	Small / 10 Boats
Model Number	WW1100RZ	WW1110RZ	WW1120RZ
Specification (Inch)	(W) 52 x (H) 60 Inch Base: (W) 41 x (H) 2 Inch	(W) 44 * (H) 52 Inch Base: (W) 37.5 x (H) 2 Inch	(W) 31.5 * (H) 39 Inch Base: (W) 26 x (H) 2 Inch
Weight (LBS)	about 88.4 LBS	about 84.2 LBS	about 67.2 LBS
Boat 1.32lbs/pcs	about 24.3 LBS	about 19.8 LBS	about 13.2 LBS
Total Weight (LBS)	about 112.7 LBS	about 104 LBS	about 80.4 LBS

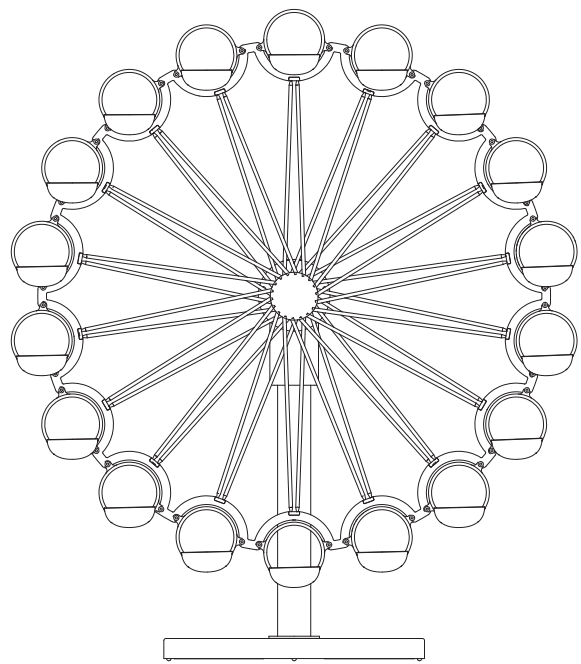
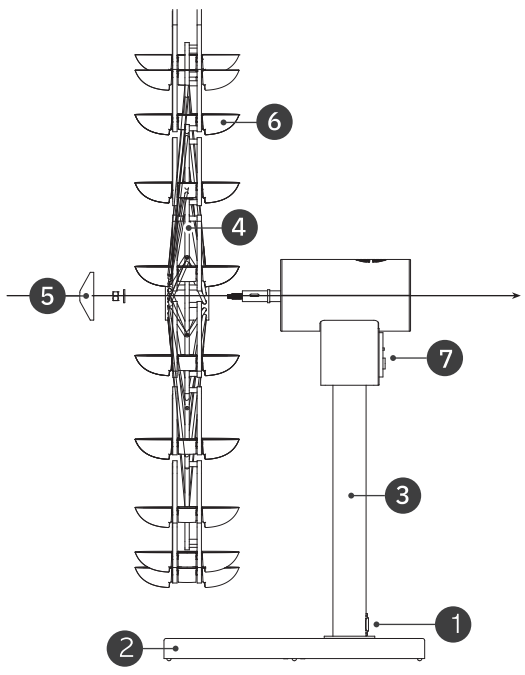
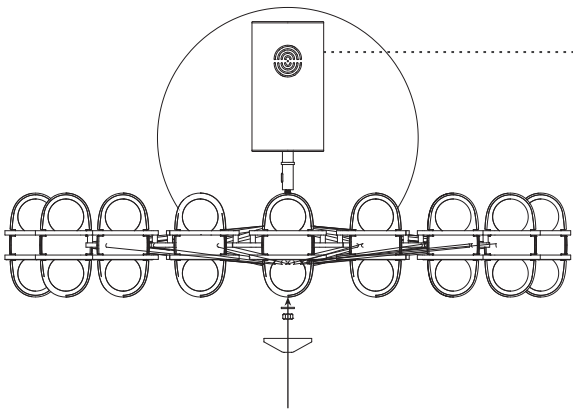
Warranty Certificate
Warranty Period: 12 months from the date of purchase. The motor is warranted for 1 year or up to 5,000 operating hours.
Using electrical power outside the specified rating or prolonged continuous operation may result in motor overheating and failure.
Damage from improper cleaning, negligence, scratches, or plating/coating wear is not covered by the warranty.

# Part and Function

Parts Name	
1	Power Cable : Connects the product to the power supply.
2	Base plate : Supports the entire structure.
3	Pole : Supports the drive unit and rotation.
4	Wheel : Transmits rotational motion.
5	Center Cap : Cover for the wheel shaft assembly.
6	Dessert Boat : Stably holds the product for display.
7	Speed Controller : Adjusts the wheel's rotation speed and turns the motor ON/OFF.





Item Code: DSKM-M1



# Product Overview.

## Additional Information

Parts Name	Additional Information
● Power Cable	-
● Base plate	Cover : Stainless steel plate, PVD coated Internal Frame : Stainless steel square pipe frame Reinforcement Plate : Plywood
● Pole	Stainless Steel Round Pipe, PVD Coated 110V Electrical Socket Attached Flanges and Bolts for Vertical Assembly  *Drive unit Unit Cover : Aluminum cover, PVD coated Speed Control Induction Motor : 110V, 60W/H, 1700 RPM Gear Reducer : 1/200, unit bearing, base plate Speed Controller : 110V, 60Hz, adjustable range 90–1700 RPM Control Holder : Stainless steel, PVD coated
● Wheel	Rim : Aluminum plate, PVD coated Spokes : Aluminum round bar Center Hub : Machined aluminum Boat Ring / Boat Ring Assembly Parts: ABS, PVD / Aluminum bushing, stainless bolt, PVD
● Center Cap	Stainless Steel or Aluminum Machined Parts, PVD Coated
● Desert Boat	Housing : ABS injection molded, PVD coated Top Plate : Aluminum plate and stainless steel plate Bearings and Components : Ball bearings, steel shaft, counterweight (steel round bar)

Item	Model No	Speed	Electrical Rating	Specification	Manufacturer	Country
S.C. Induction Motor (Speed. Control.)	 9SDGA-60FP	1720rpm	110V, 60HZ 60W UL Certificate No. 4791425246	90×90×160mm	DKM Motor	Korea
P-type Gearbox	9PBK-200BK	Gear Ratio 1/200	-	90×90×60mm	DKM Motor	Korea
Speed Controller	 Analogue/Dial DSKM-M1	min 90 rpm max 1700rpm	110V, 50/60Hz	-	DKM Motor	Korea
110V Operation: Analog Dial S.C	Connect the power cord, then turn the dial upward from “0” to switch the motor ON. Adjust the rotation speed by moving the dial up or down. When the dial is set to “0,” the power is OFF. At “2,” the wheel runs at approximately 1.5 RPM.					

# Caution

---



## During Assembly

---

- To prevent fingerprints and scratches on the product surface, always wear clean cotton gloves during assembly.



## Surface Care and Cleaning

---

- The product surface is PVD gold-coated with a transparent paint finish.
- If fingerprints or stains appear, gently wipe with a soft cotton cloth moistened with alcohol (ethanol) or glass cleaner.
- Do not immerse the product in water. Avoid using corrosive detergents, thinners, chemicals, or abrasive pads.
- Always clean the main body and dessert boat with a soft cotton cloth by hand.
- Do not clean the dessert boat with a high-temperature dishwasher or immerse it in water.
- This product uses electricity and may cause electric shock. Handle with care and never operate with wet hands.



## Dessert Boat Operation

---

- The dessert boat is designed to maintain a natural horizontal balance by gravity.
- Bearings are used for smooth movement, and internal counterweights enhance stability.
- The boat may tilt if the center touches the sides of the track during operation.
- As the boat track is made of molded plastic, slight deformation may occur during manufacturing. Sudden temperature changes or external impacts may also cause deformation.
- If severe tilting occurs, stop the wheel and adjust the track by gently widening or narrowing it by hand.



## Power Supply

---

- Use only 110V, 60Hz power.
- If the voltage differs, use a transformer to convert to the correct specifications.



## Storage and Transport

---

- When disassembling the product, store and transport the wheel in a horizontal position to prevent deformation of the attached boat track.
- If the wheel is separated from the drive unit and stored vertically, the lower section of the track may deform, resulting in improper operation.

**Easterntabletop.com**

Toll-Free: 1-888-442-4142

Phone: 718-240-9525

sales@easterntabletop.com

**Factory | Warehouse | Design Studio**

50 Ingham Ave, Bayonne, NJ 07002