

Nordic Table-Setters

Model 1825

Table | 15.625" diameter, 13.625" height
Stools | 10" width, 6.875" depth, 8.25" height

Dress up any buffet with this phenomenal table setter, inspired by rustic design, yet versatile enough to fit with modern schemes as well. The "table" top acts as a beautiful centerpiece to the accompanying stools, which can be paired with optional glass and acrylic shelves to augment the available surface area.

Features

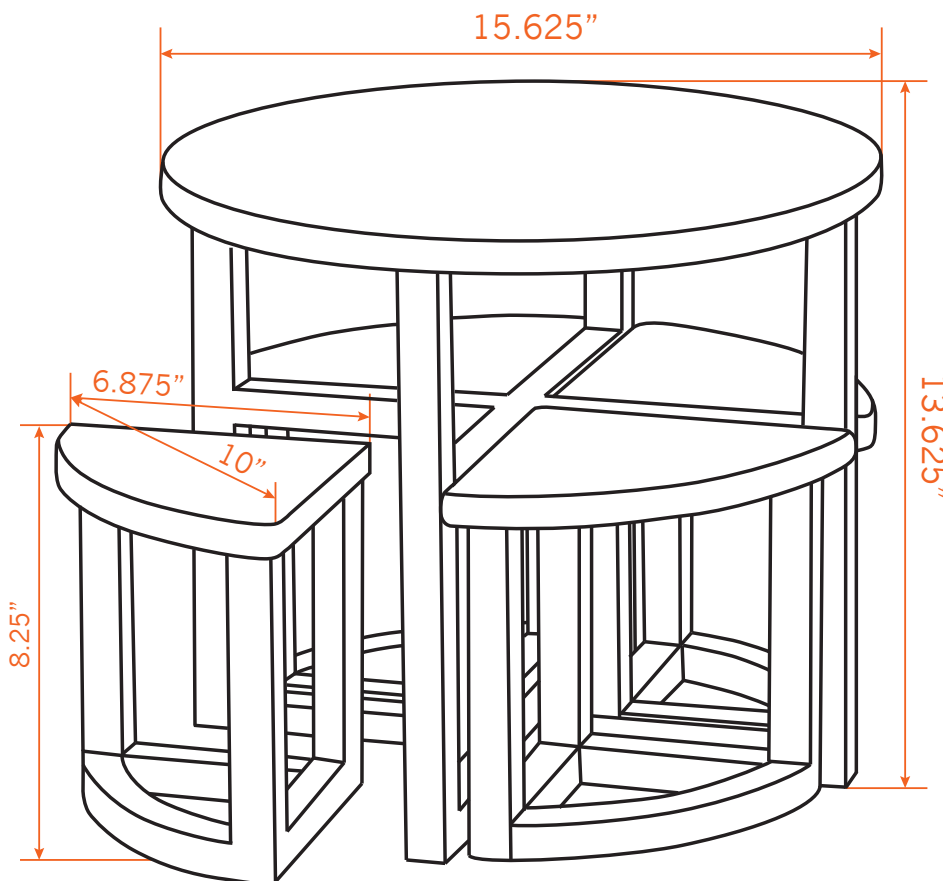
- Sold as table and four (4) stools
- Standalone tabletop display with a variety of setups
- Two-toned wood
- Acrylic shelves sold separately



ACRYLIC SHELVES
SOLD SEPARATELY



NORDIC TABLE-SETTERS



If you would like to receive our full catalog,
simply send us an email at sales@easterntabletop.com.