

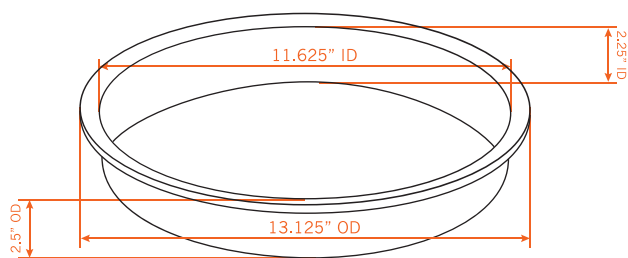
Dome-Lid Pots Cook Buffet Series

Stainless Steel | 4 quart and 6 quart

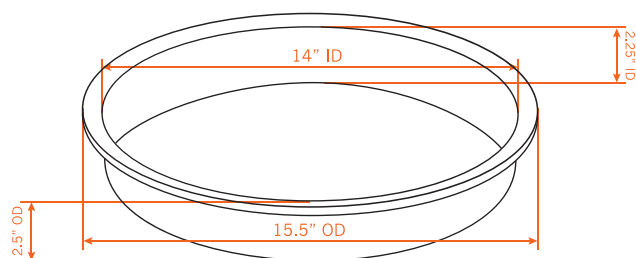
Constructed with 3-ply stainless steel, our Cook Buffet Induction Pots adapt to all types of cooktops. The innovative “sandwich” layer acts as a conductor for even heat distribution, ensuring that your food cooks evenly. The pots are dishwasher safe, and are beautiful enough for serving.

Features

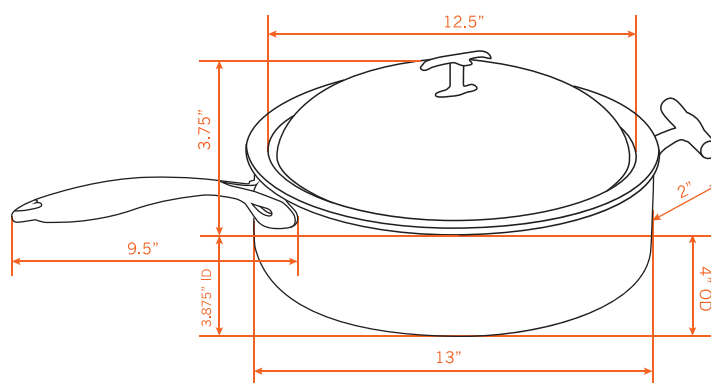
- Available in Hammered or Mirrored finish
- Skillet and 2-handle
- Available in 4 qt and 6 qt
- Dishwasher safe
- Lid holder and spoon rest available
- 3 Piece, Skillet Handle
 - 5914 | 4 qt. mirror dome lid
 - 5914H | 4 qt. hammered dome lid
- 3 Piece, 2 Handle
 - 5904 | 4 qt. mirror dome lid
 - 5904H | 4 qt. hammered dome lid
 - 5906 | 6 qt. mirror dome lid
 - 5906H | 6 qt. hammered dome lid



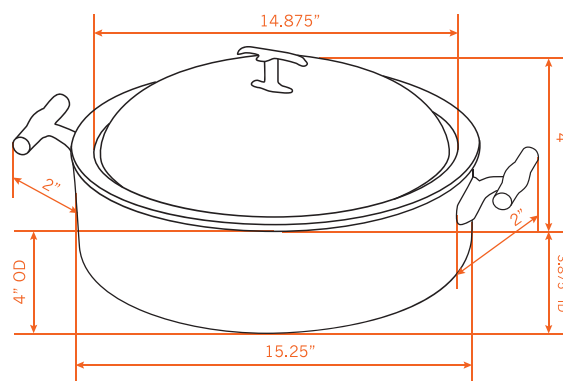
DIMENSIONS FOR 4 QT. FOOD PAN



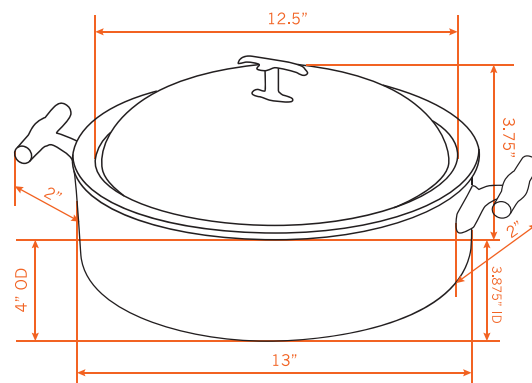
DIMENSIONS FOR 6 QT. FOOD PAN



DIMENSIONS FOR 5914, 5914H



DIMENSIONS FOR 5906, 5906H



DIMENSIONS FOR 5904, 5904H

If you would like to receive our full catalog, simply send us an email at sales@easterntabletop.com.