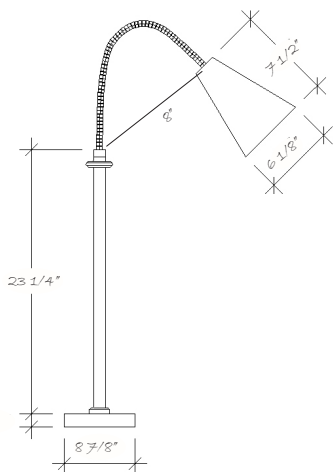


**HEAT LAMP : Model 9671
Model 9672**



9671



9672

When both style and function are demanded, these lamps provide precise heating in an attractive contemporary design. Perfect for action stations as well as with buffet operations.

Standard Features:

- Self standing with heavy duty Square base to prevent tipping over and slides beneath the carving board
- Flex-neck lamp provides self control of the heat and light where needed
- On/Off switch conveniently located on post
- Standard Food Safe bulbs included
- 72" long cord

Options:

- Choice of single or double lamps
- Stainless steel heat lamp warmer is available in highly polished or satin finish
- Optional powder coated finishes are available in a variety of colors

Accessories:

Portable base with gravy lane set into a stainless steel frame :

- # 9655 solid surface / stone carving board
- # 9655EL solid surface / stone carving board with electric heating element
- # 9653 wooden butcher block board



Model 9671 120/60/1 250 Watts (2.1 Amp) NEMA 5-15 Shipping Wt 21 lbs.

Model 9672 120/60/1 500 Watts (4.2 Amp) NEMA 5-15 Shipping Wt 23 lbs.