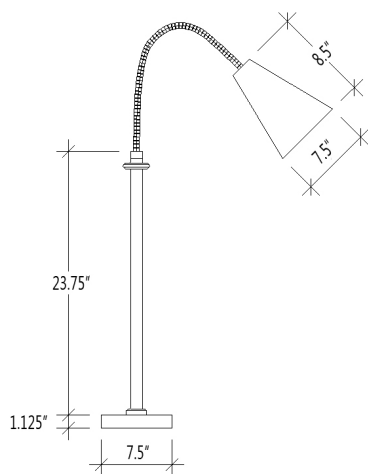


**HEAT LAMP : Model 9631  
Model 9632**



**9631**



**9632**

When both style and function are demanded, these lamps provide precise heating in an attractive contemporary design. Perfect for action stations as well as with buffet operations.

**Standard Features:**

- Self standing with heavy round base to prevent tipping over and slides beneath the carving board
- Flex-neck lamp provides self control of the heat and light where needed
- On/Off switch conveniently located on post
- Standard Food Safe bulbs included
- 72" long cord

**Options:**

- Choice of single or double lamps
- Stainless steel sphere lamp shade is available in highly polished or satin finish
- Optional powder coated finishes are available in a variety of colors

**Accessories:**

Portable base with gravy lane set into a stainless steel frame :

- # 9655 solid surface / stone carving board
- # 9655EL solid surface / stone carving board with electric heating element
- # 9653 wooden butcher block board

Model 9641 120/60/1 250 Watts ( 2.1 Amp ) NEMA 5-15 Shipping Wt 15 lbs.

Model 9642 120/60/1 500 Watts ( 4.2 Amp ) NEMA 5-15 Shipping Wt 18 lbs.

