

THE HUB

exclusively by
EASTERN
SINCE 1950

The Hub Buffet System

If you would like to receive our full product line catalog, simply send us an email at sales@easterntabletop.com or scan the QR code below for the PDF version.

Video demo is available at Easterntabletop.com



www.easterntabletop.com
Toll-Free: 1-888-422-4142
Phone: 718-240-9595

sales@easterntabletop.com

Just roll it out and it's ready to go! Sliding tiles connect to frames, hook on the panels and you're all set..

Introducing THE HUB. Simplicity and innovation, like never before; a magical buffet for both indoor and outdoor venues. At Eastern, we like to keep things simple. We work complex innovations into quality, yet easy-to-use products that are a delight to operate. The Hub is the newest add-on to our popular Rolling Buffets, a complement to Eastern's extensive line of chafing dishes and quality buffetware.

At Eastern, we get it. It's beautiful. It's easy. It's party time.

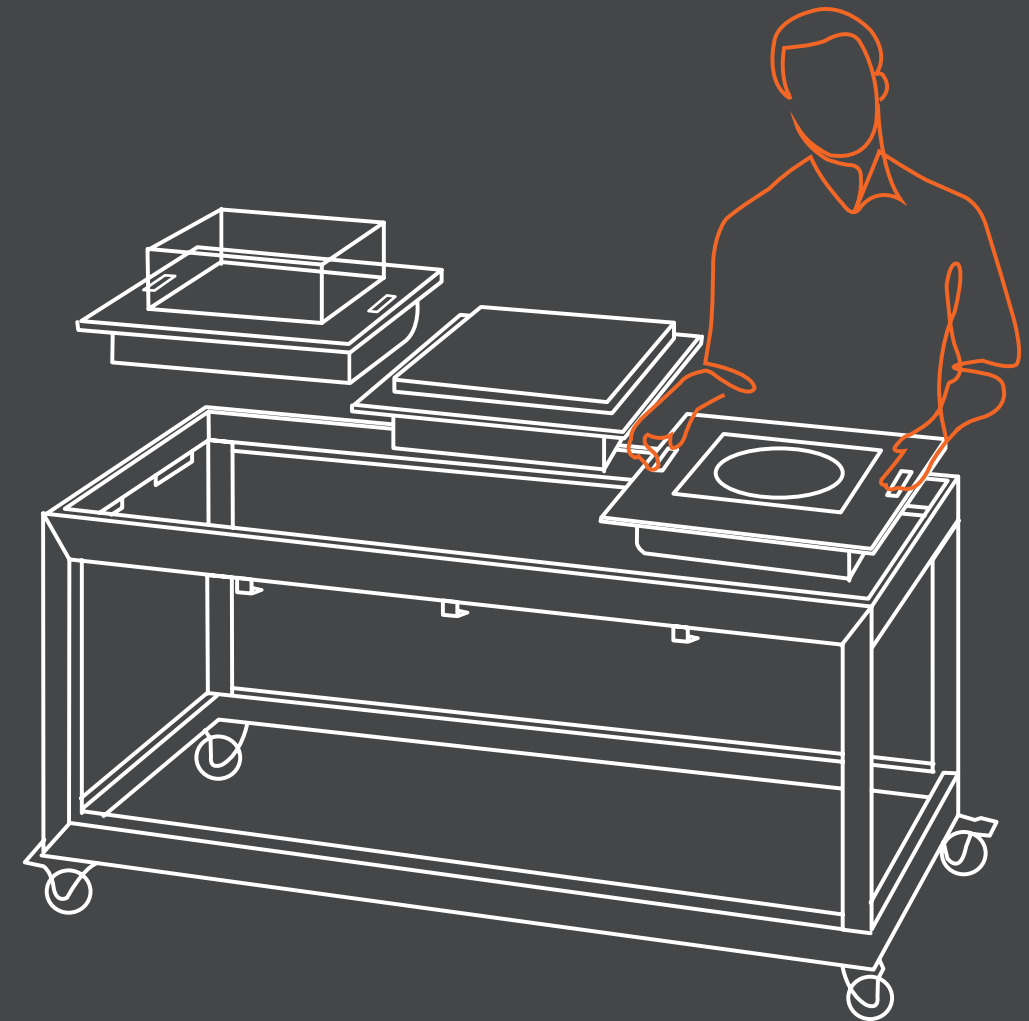
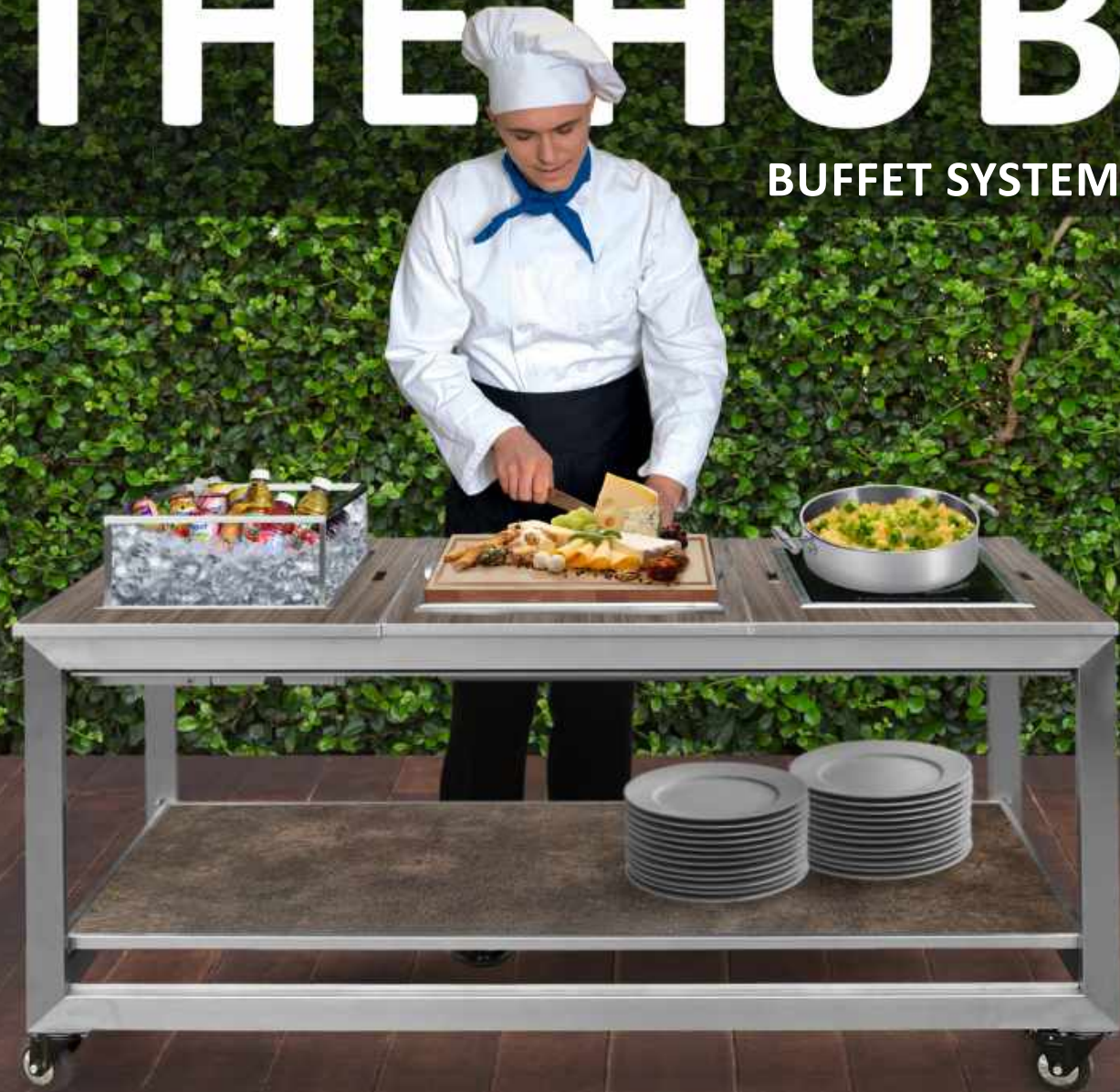
At your service,

Sol Basch

President

THE HUB

BUFFET SYSTEM



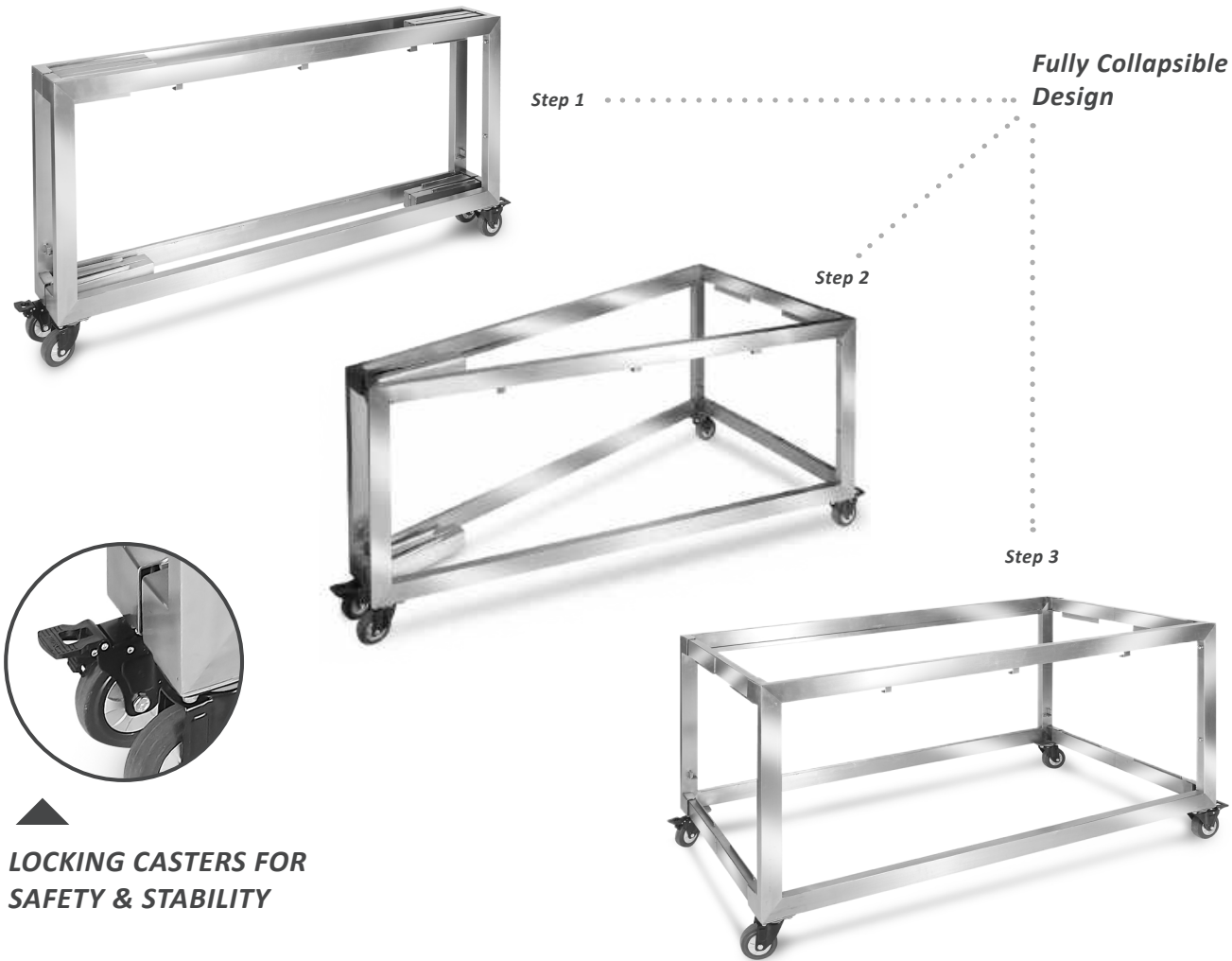
INTRODUCING THE HUB BUFFET SYSTEM

The latest in design genius and functionality, Eastern's Buffet Hub is a bona fide rockstar that serves as the focal point of any buffet. It seamlessly allows for change of function, from action to display, from mid-day casual to snazzy cocktail bar, from stainless steel to pop of color. Anywhere. Any time.

THE HUB FRAME

Maximum Quality. Maximum Function.

The Hub frame is made from a durable, matte stainless steel construction that swiftly folds away for easy storage and transportation. Heavy-duty, locking casters allow for smooth wheeling and stability on every surface. Slim design—folds to 7”



For order details see specifications page 26



REVERSIBLE SHELF

QUICK & SIMPLE SETUP

THE HUB SHELF

Easy Setup. Easy Maintenance.

The reversible Black/Textured laminate shelf with metal frame swiftly slides into sturdy brackets. Made from waterproof laminate for easy wipe-away cleaning.

For order details see specifications page 26

THE HUB XYLO FRAMES

From Ordinary. To Extraordinary.

Eastern Tabletop's custom XYLO table frame finishes add a pop of color and set the tone for any event. Customize your buffet to enhance and beautify your existing facilities. Choose from **Black, Copper** and **Bronze XYLO** finishes!



◀ XYLO CUSTOM
COLOR FINISHES



For order details see specifications page 26





THE HUB DROP-IN TILES

Maximum Functions. Minimum Time.

The Hub drop-in tiles allow you to switch buffet functions in a fraction of time. Create customized set-ups with different tile combinations. Go from warm cooking to cold display with ease. Flat hidden handles line either side of the tiles for easy lifting and tile transport.

Video demo is available at Easterntabletop.com

For order details see specifications page 28, 29

THE HUB FRONT & SIDE PANELS

Forward-thinking panels.

All panels are edged in stainless steel for durability, and easily hook on and off in a matter of minutes. Choose from easy care **Interchangeable Textured/Black Laminate**, **Patterned Optic Reflector Acrylic**, **LED**, and **Brushed Stainless Steel** construction. Custom logos on LED panels available upon request.

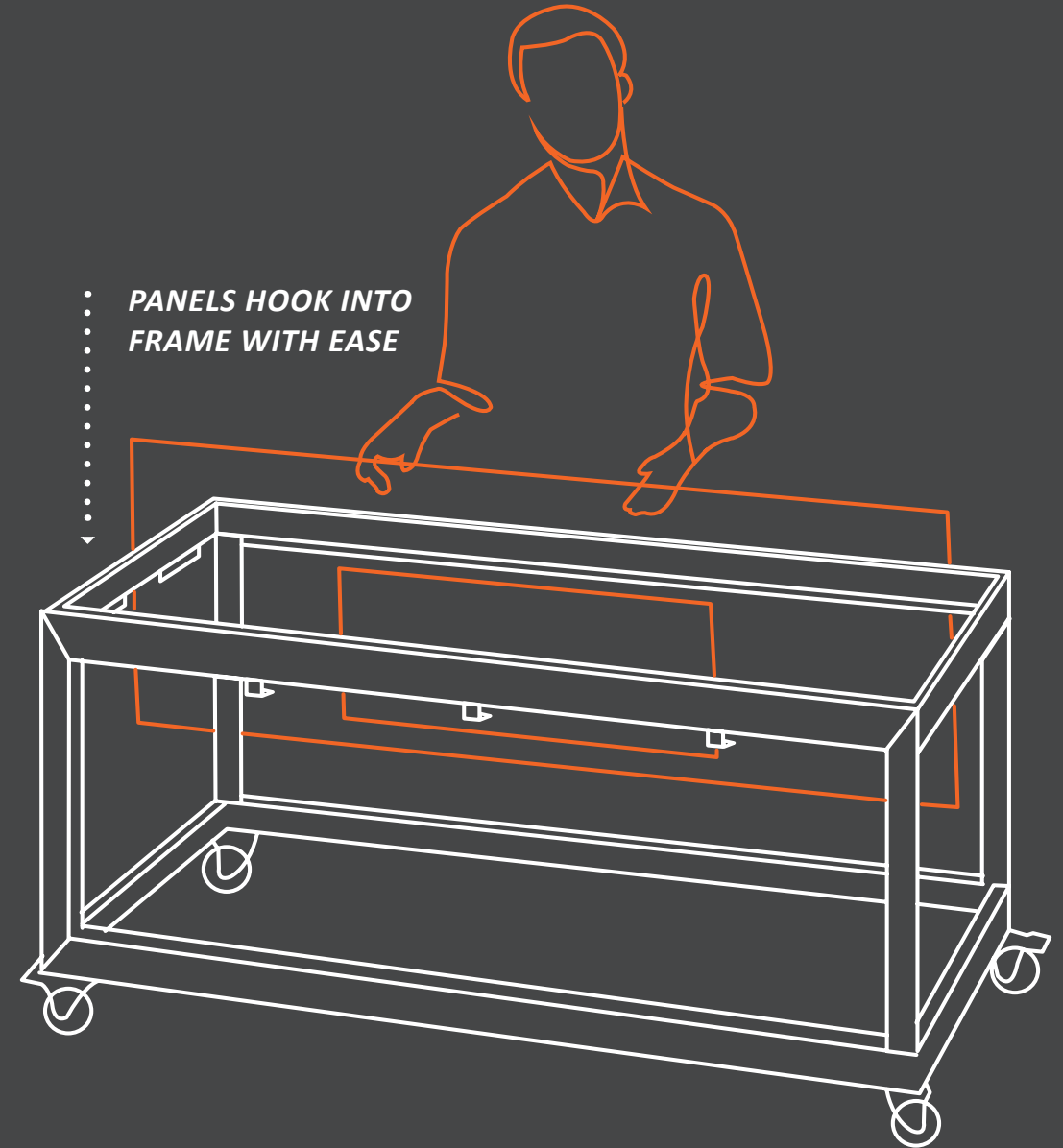


Textured/Black Laminate Panels

Create your own ambiance with light reflecting panels.

Patterned Optic Reflector Acrylic Panel *Lighting sold separately
LED Panel *Built-in light system

Brushed Stainless Steel Laminate Panel



For order details see specifications page 27

THE HUB BAR KIT

FULLY COLLAPSIBLE BAR DESIGN

Complete bar kit. 6 steps in under 6 minutes.

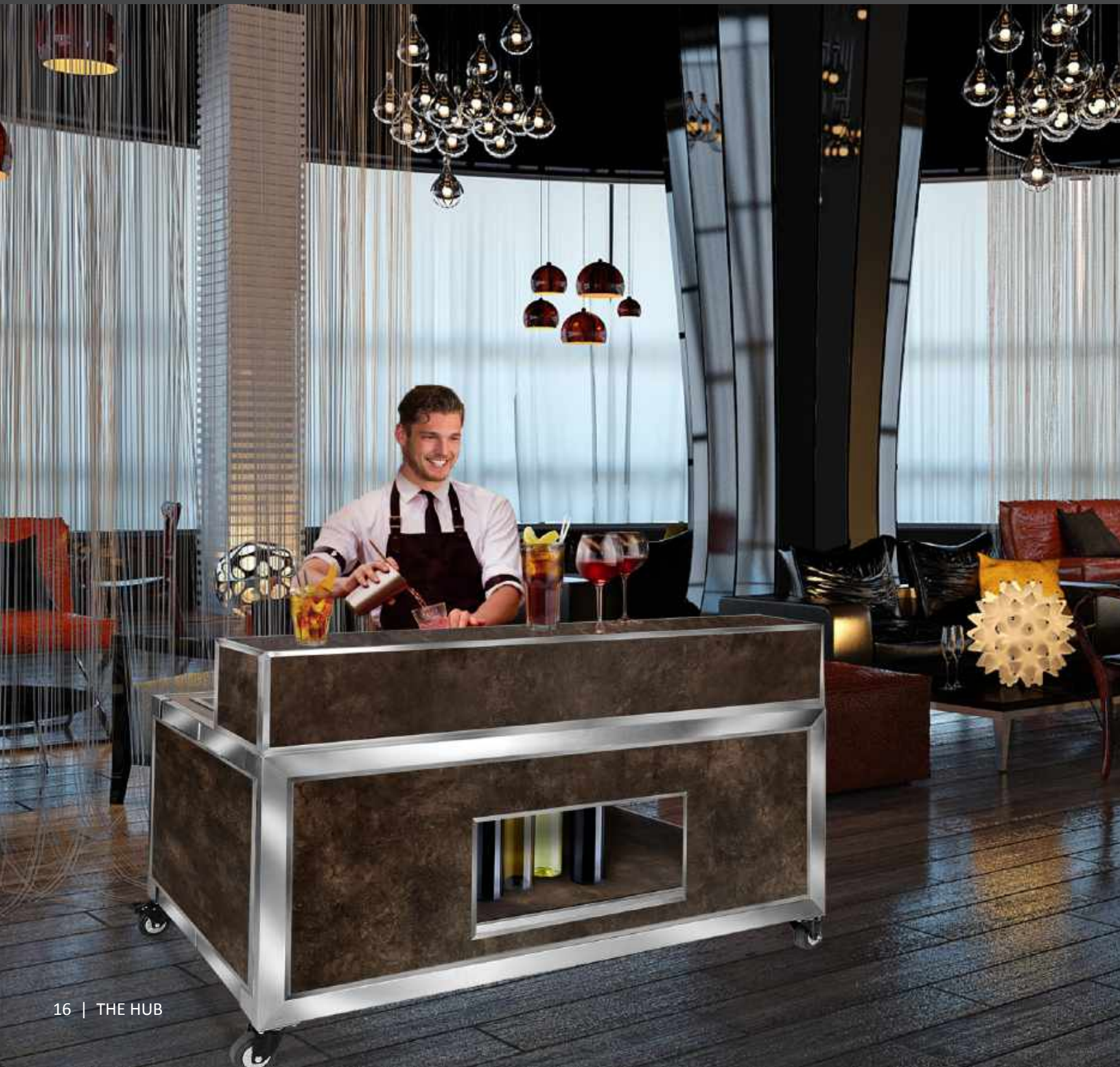


Time for an overhaul. Turn your Hub from buffet to bar in 6 easy steps. Pick your stainless steel frame, choose your bar top, select your front/side panel options, drop-in your brushed stainless steel tiles & insulated sink tiles, hook-up speed rail.

Video demo is available at Easterntabletop.com

For order details see specifications page 31





THE HUB BAR STYLE OPTIONS

Pair the bar top and front panels to create individually unique looks that can accommodate any event! Choose from Optic Reflector Acrylic, easy care Textured Laminate, or Brushed Stainless Steel.

Video demo is available at Easterntabletop.com



The Hub Bar Tops can be purchased individually or within The Hub Bar Kit.



For order details see specifications page 31

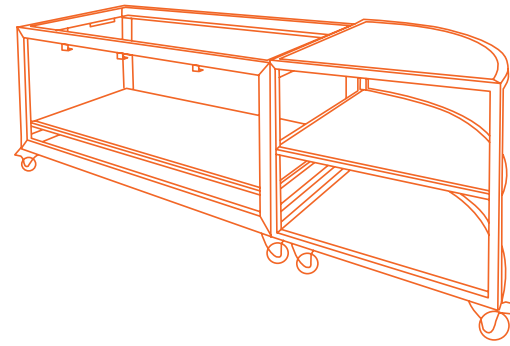
THE HUB CORNER EXTENSION

The Art of Buffet. The Science of Innovation.

Combine a self-standing station to form a full-fledged buffet. Add the smooth, rounded corner table to seamlessly integrate multiple stations for a modern and sophisticated set-up. Locking casters add safety and stability. The corner table is made of stainless steel construction with 3 reversible Textured/Black laminate shelves.



SIDE VIEW



FRONT VIEW

For order details see specifications page 30





THE HUB STORAGE & TRANSPORT

Don't let storage limitations hinder your performance. Store and roll the hub into and out of your venue with ease. The cart comes complete with a sturdy, steel frame, felt-covered rails, and heavy-duty casters to lock and brake easily.

*Available in 4 and 8 table capacity. See page 30 for details.



HOLDS UP TO 8 TABLE FRAMES

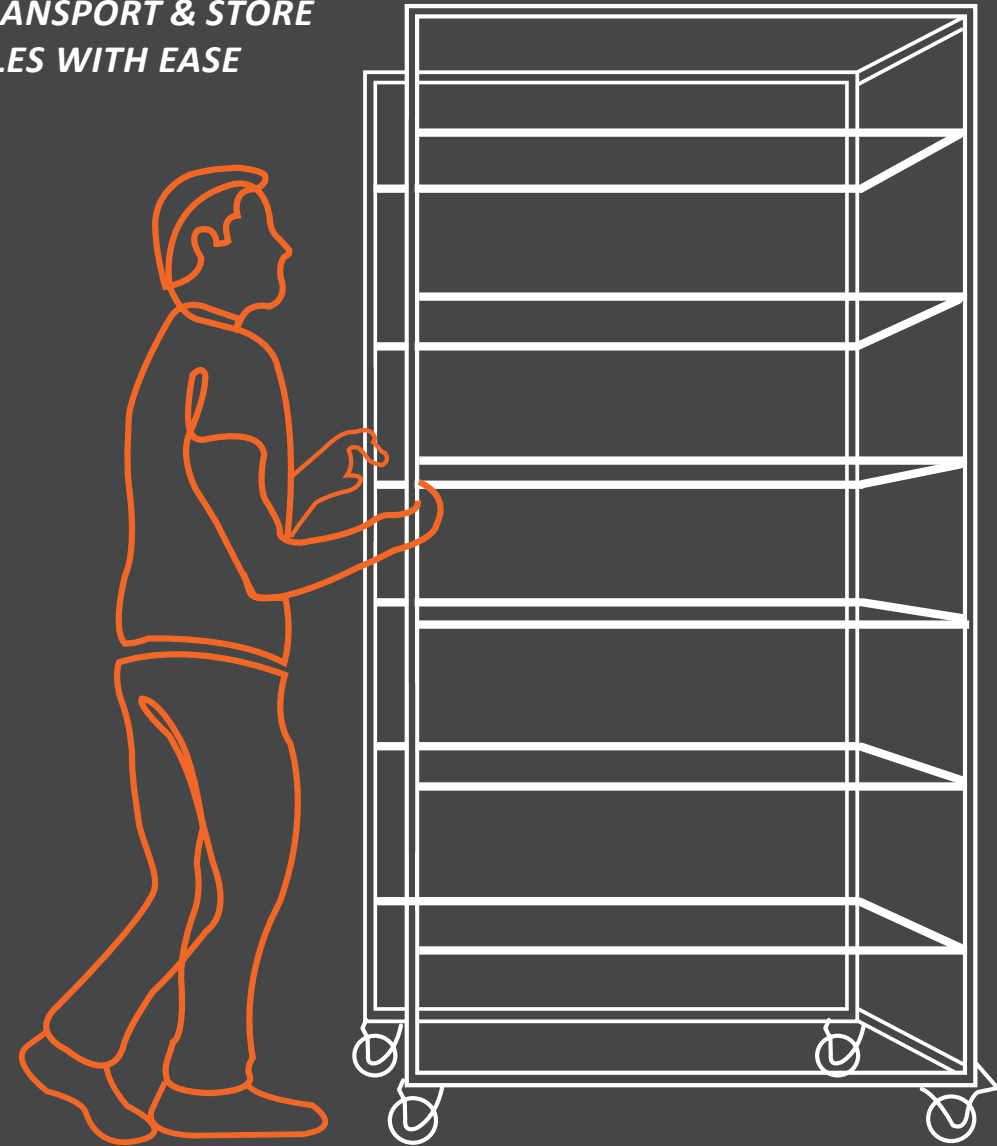


DUST COVER
Not shown to scale.



HOLDS UP TO 6 TABLE TILES

TRANSPORT & STORE TILES WITH EASE





THE HUB BUFFET SYSTEM

From individual self standing units to a complete buffet setup.

Combine tabletops and panels to create unique buffet systems. Add the smooth, rounded corner table to seamlessly integrate multiple stations for a modern and sophisticated set-up. Locking casters add safety and stability. The Hub is the genius behind it all!



For order details see specifications page 28 & 29

Brushed Stainless Steel Table Frame #ST5900

DIMENSIONS

66" X 30 3/4" X 32 1/4"H

DETAILS

- Heavy-duty stainless steel construction
- Locking casters, easy wheeling from tile to carpet
- Reversible bottom shelf from Black/Textured Laminate with stainless steel edging
- Collapses to 7"



Textured Laminate Front Panel #ST5910F
Black Laminate Front Panel #ST5912BKF

DIMENSIONS

61" X 21 3/4"

DETAILS

- Cutout hole—24 1/4" X 11 3/4"
- Hooks onto front table frame
- Stainless steel edging



Black XYLO Coated Table Frame #ST5900MB

DIMENSIONS

66" X 30 3/4" X 32 1/4"H

DETAILS

- Heavy-duty stainless steel construction
- Locking casters, easy wheeling from tile to carpet
- Reversible bottom shelf from Black/Textured Laminate with stainless steel edging
- Collapses to 7"



Brushed Stainless Steel Finish Front Panel #ST5962SF
Optic Reflector Acrylic Front Panel #ST5960ACF
Led Front Panel #ST5961LEDF *Custom logos on LED panels available upon request.

DIMENSIONS

21 3/4" X 20 1/4"

DETAILS

- Fits three on a table frame, sold individually
- Hooks onto front table frame
- Stainless steel edging



Bronze XYLO Coated Table Frame #ST5900RZB

DIMENSIONS

66" X 30 3/4" X 32 1/4"H

DETAILS

- Heavy-duty stainless steel construction
- Locking casters, easy wheeling from tile to carpet
- Reversible bottom shelf from Black/Textured Laminate with stainless steel edging
- Collapses to 7"



Textured Laminate Side Panels #ST5909S
Black Laminate Side Panels #ST5908BKS

DIMENSIONS

28" X 21 1/4"

DETAILS

- Set of two
- Hooks onto side table frame
- Stainless steel edging



Copper XYLO Coated Table Frame #ST5900CP

DIMENSIONS

66" X 30 3/4" X 32 1/4"H

DETAILS

- Heavy-duty stainless steel construction
- Locking casters, easy wheeling from tile to carpet
- Reversible bottom shelf from Black/Textured Laminate with stainless steel edging
- Collapses to 7"



Brushed Stainless Steel Finish Side Panels #ST5906S
Optic Reflector Acrylic Side Panels #ST5907ACS
LED Side Panels #ST5904LEDS

DIMENSIONS

28" X 21 1/4"

DETAILS

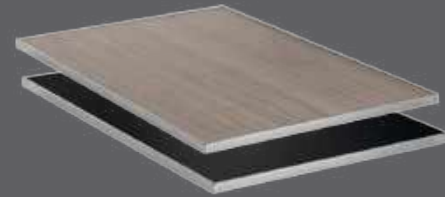
- Stainless steel edging
- Set of two
- Hooks onto side table frame



Reversible Wooden Tile #ST5935WPT

DIMENSIONS
31 7/16" X 22 1/4" X 3/4"H

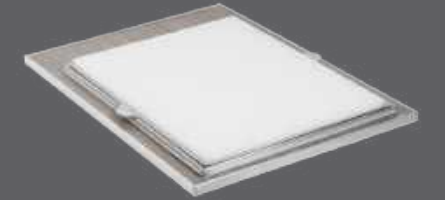
DETAILS
-Reversible from Black to Gray Grain
-Stainless steel edging



Carving Board Tile #ST5920CB

DIMENSIONS
31 7/16" X 22 1/4" X 3/4"H

DETAILS
-Polyethylene cutting board tile
-Stainless steel tray
-Stainless steel edging



Glass Tile #ST5940GT
Brush Stainless Steel Finish Tile #ST5937ST

DIMENSIONS
31 7/16" X 22 1/4" X 3/4"H

DETAILS
-Clear tempered glass tile
-Stainless steel edging



Butcher Block Tile #ST5975WB

DIMENSIONS
31 7/16" X 22 1/4" X 3/4"H

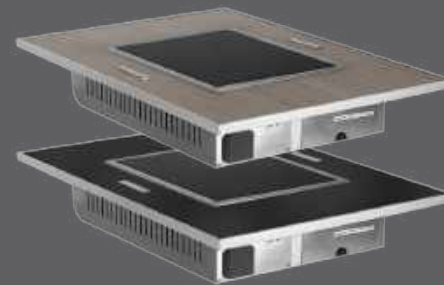
DETAILS
-Wood butcher block
-Stainless steel tray
-Stainless steel edging



Gray Grain Induction Tile #ST5915IND
Black Induction Tile #ST5917BIND

DIMENSIONS
31 7/16" X 22 1/4" X 3/4"H

DETAILS
-Cooking/warming induction
-Includes 7ft power cord
-110V, 1500W
-Two side handles for easy grip



Glass Built-Up Ice Bin Tile #ST5930BIB

DIMENSIONS
31 7/16" X 22 1/4" X 3/4"H

DETAILS
-Includes drain with valve
-Two side handles for easy grip
-Capacity 34lbs
-Stainless steel edging



Hot Plate Tile #ST5970HT

DIMENSIONS
31 7/16" X 22 1/4" X 3/4"H

DETAILS
-Includes 7ft power cord
-Temperatures up to 150°F
-Stainless steel edging



Stainless Steel Drop-In Ice Bin Tile #ST5925DIB

DIMENSIONS
31 7/16" X 22 1/4" X 3/4"H

DETAILS
-Includes drain with valve
-Capacity 84lbs
-Stainless steel edging



Corner Extension #ST5965RS

DIMENSIONS
31 1/2" X 44 1/2" X 33"H

DETAILS
-Triangular-shaped corner table
-Stainless steel with 3 reversible Textured/Black Laminate shelves
-Locking casters



Brushed Stainless Steel Finish Bar Kit #HB6510S

INCLUDES:
1 Table frame
1 Brushed aluminum bar counter
1 Stainless steel drop-in ice bin tile
2 Stainless steel tiles
3 Brushed aluminum panels
1 Speed rail



Table Frame Cart Dust Cover #ST5980C

Tile Cart Dust Cover #ST5955C

Bar Kit Dust Cover #ST5990C

Basic Table Dust Cover #ST5900C



Textured Laminate Finish Bar Kit #HB6500W

INCLUDES:
1 Table frame
1 Textured laminate bar counter
1 Stainless steel drop-in ice bin tile
2 Stainless steel tiles
1 Textured laminate front panel
1 Speed rail



Tile Cart #ST5955BST

DIMENSIONS
33.5" X 27" X 74"H

DETAILS
-Black coated steel
-Fits 6 tiles
-Includes bumpers, straps, & locking casters



Table Frame Cart #ST5980

DIMENSIONS
78" X 35.75" X 71"H

DETAILS
-Black coated steel
-Fits 8 collapsible tables
-Includes bumper and locking casters
#ST5984 - Holds 4 collapsible tables



Optic Reflector Finish Bar Kit #HB6505R

INCLUDES:
1 Table frame
1 Optic reflector acrylic bar counter
1 Stainless steel drop-in ice bin tile
2 Stainless steel tiles
3 Optic reflector acrylic panels
1 Speed rail



Speed Rail #ST5995SR

DIMENSIONS
10" X 5"

DETAILS
-Stainless steel



Raw Bar #ST5985RB

DIMENSIONS
60" x 26" 5" deep

DETAILS
-Stainless steel



Bar Top Textured Finish #ST5950BL
Bar Top Optic Reflector Acrylic #ST5950BAC
Bar Top Brushed Stainless Steel Finish #ST5950BLSS

DIMENSIONS
66 5/8" X 7 7/8" X 11 7/8"

DETAILS
-Removable, Stainless steel edging



EASTERN

SINCE 1950

EASTERN TABLETOP COMPANY INC.

1943 PITKIN AVENUE • BROOKLYN, NY 11207

TOLL-FREE: 1-888-422-4142 • PHONE: 718-240-9595

WWW.EASTERNTABLETOP.COM • SALES@EASTERNTABLETOP.COM

